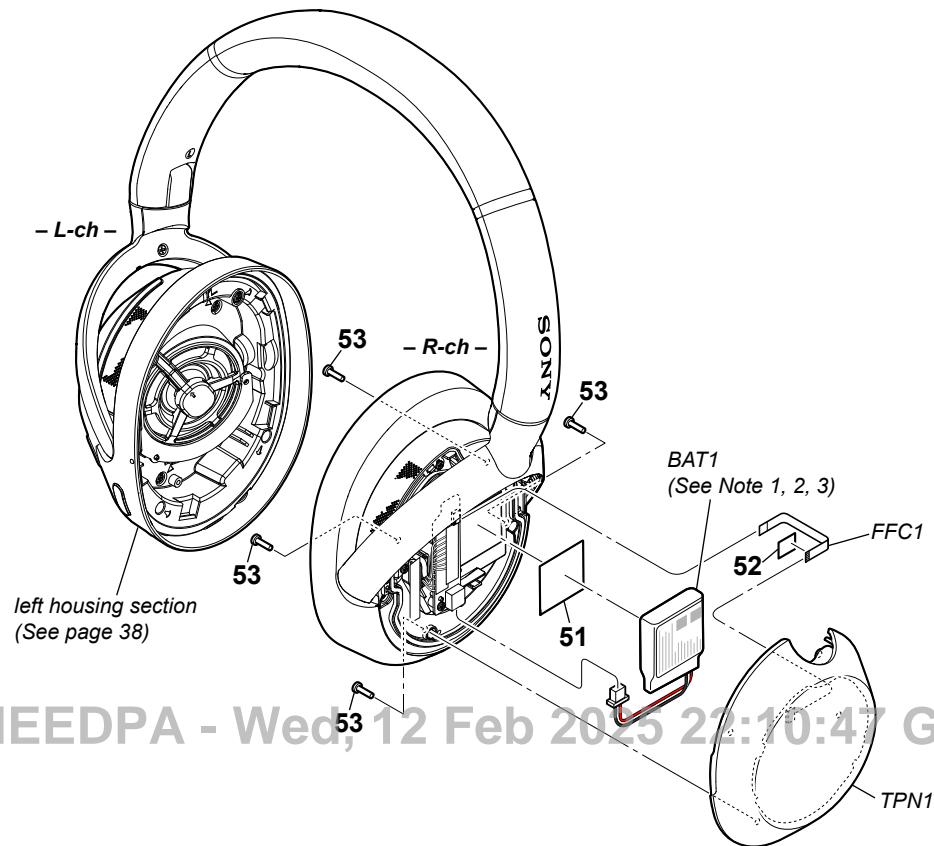


4-2. BATTERY SECTION (R-ch)



NZNEEDPA - Wed, 12 Feb 2025 22:10:47 GMT

(Except Taiwan area and Thailand)

Note 1: When replacing the lithium-ion rechargeable battery (Ref. No. BAT1) with a new battery, refer to “CHECKING THE NEW LITHIUM-ION RECHARGEABLE BATTERY FOR BEFORE USE AND NOTES ON HANDLING” on page 4.

Note 2:**(Except Taiwan area and Thailand)**

When removing the lithium-ion rechargeable battery from adhesive sheet, that lithium-ion rechargeable battery cannot be reused. Be sure to replace it with a new battery.

(Taiwan area and Thailand)

When removing the lithium-ion rechargeable battery from adhesive sheet, that lithium-ion rechargeable battery cannot be reused. Do not remove the battery from the adhesive sheet.

Note 3:**(US, CND, AEP, UK, E, AUS, JE, CH, PX, LA)**

There are several types of lithium-ion rechargeable battery (Ref. No. BAT1). When replacing the lithium-ion rechargeable battery with a new battery, be sure to refer to “NOTES FOR REPLACING THE LITHIUM-ION RECHARGEABLE BATTERY” on page 7.

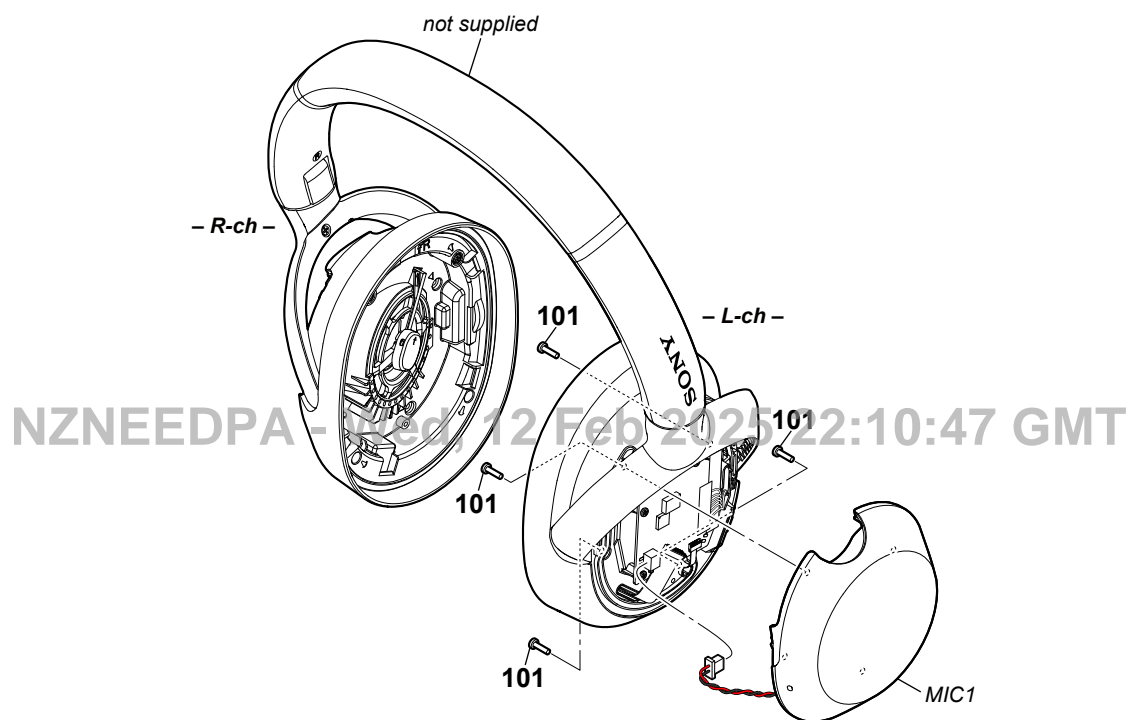
(IND)

There is only one type of lithium-ion rechargeable battery (Ref. No. BAT1). Use Type H41 battery. Type V31 battery cannot be used.

(Taiwan area, Thailand)

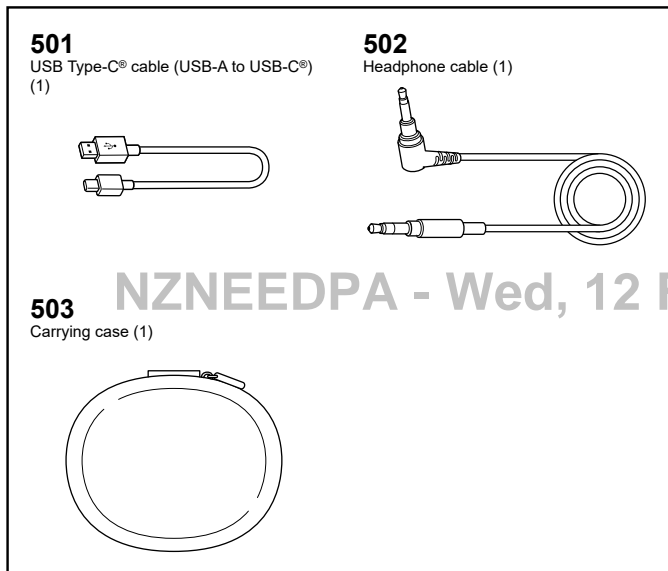
The lithium-ion rechargeable battery (Ref. No. BAT1) cannot be replaced with a new battery.

4-3. LEFT HOUSING SECTION (L-ch)



SECTION 5
ACCESSORIES

Ref. No.	Description	Remark
	REFERENCE GUIDE (ENGLISH, FRENCH, SPANISH) (US, CND, PX, LA) REFERENCE GUIDE (SIMPLIFIED CHINESE) (CH) REFERENCE GUIDE (ENGLISH, ARABIC, TRADITIONAL CHINESE, KOREAN) (E, AUS, JE) REFERENCE GUIDE (ENGLISH) (IND) REFERENCE GUIDE (ENGLISH, FRENCH, GERMAN, SPANISH, DUTCH, SWEDISH, ITALIAN, PORTUGUESE, DANISH, FINNISH, NORWEGIAN) (AEP, UK)	
	REFERENCE GUIDE (POLISH, GREEK, CZECH, HUNGARIAN, BULGARIAN, SLOVAK, SLOVENIAN, CROATIAN, ROMANIAN, SERBIAN) (AEP, UK)	
501	USB TYPE-C TO A CABLE (USB Type-C® cable (USB-A to USB-C®)) (US, CND, AEP, UK, E, AUS, JE, PX, IND, LA)	
501	USB TYPE-C TO A CABLE (USB Type-C® cable (USB-A to USB-C®)) (CH)	
502	CABLE (WITH PLUG) BLK (Headphone cable)	
503	CASE CARRYING (Carrying case)	



NZNEEDPA - Wed, 12 Feb 2025 22:10:47 GMT